

Comeup Grooved Electric Winches

Comeup Grooved Electric Winches come in various sizes and lifting capacities and are precision engineered and constructed from heavy duty material. The grooved drum will prevent the wire rope from building up unevenly when spooled, especially when multiple layers are wrapped. This will increase the performance and life expectancy of this product. Comeup winches are a high performance product with low maintenance, plus they can be custom-built to suit a wide range of applications. Please contact us to see what we can do for you.



Features:

- Lightweight and compact design for easy installation and portable use.
- Grooved drum for even and convenient spooling.
- Electromagnetic spring-applied failsafe brake designed for both static and dynamic loading which applies automatically in the event of power loss.
- Compact load sharing design of the heat-treated planetary gear which ensures quiet operation and long life.
- Low voltage control with emergency stop function available on request.
- Available in 500kg, 1, 2 and 3 tonne capacity with lifting height varying from 5 to 14m.
- Custom-built options available.

The information shown is to be used as a guide only. Specifications are subject to change without notice. All materials handling or lifting jobs should be assessed individually. Pacific Hoists products are NOT to be used for lifting or lowering persons.

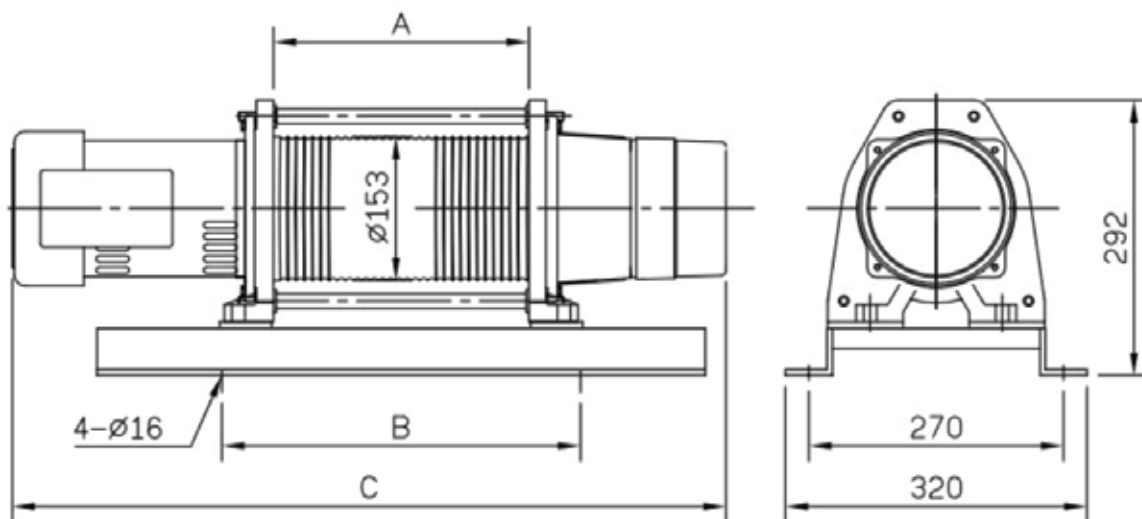
Specifications

CEP500(S) RANGE

| Model | CEP500-5M | CEP500-8M | CEP500S-5M | CEP500S-8M |
|---------------------------|--------------|-----------|--------------|------------|
| Rated Capacity (kg) | 500 | | | |
| Phase (50Hz) | Three | | Single | |
| Double Fall Speed (m/min) | 8.3 | | | |
| Motor (kw x P) | 0.75 x 4 | | | |
| Power Source (50Hz) | 380/400/415V | | 220/230/240V | |
| Lifting Height (m) | 5 | 8 | 5 | 8 |
| Wire Rope (Ø mmxm) | 8 x 16 | 8 x 22 | 8 x 16 | 8 x 22 |
| Dimension | A (mm) | 265 | 365 | 265 |
| | B (mm) | 380 | 480 | 380 |
| | C (mm) | 770 | 870 | 770 |
| Net Weight (kg) | 68 | 73 | 68 | 73 |

Dimensions

CEP500(S) RANGE



The information shown is to be used as a guide only. Specifications are subject to change without notice. All materials handling or lifting jobs should be assessed individually. Pacific Hoists products are NOT to be used for lifting or lowering persons.

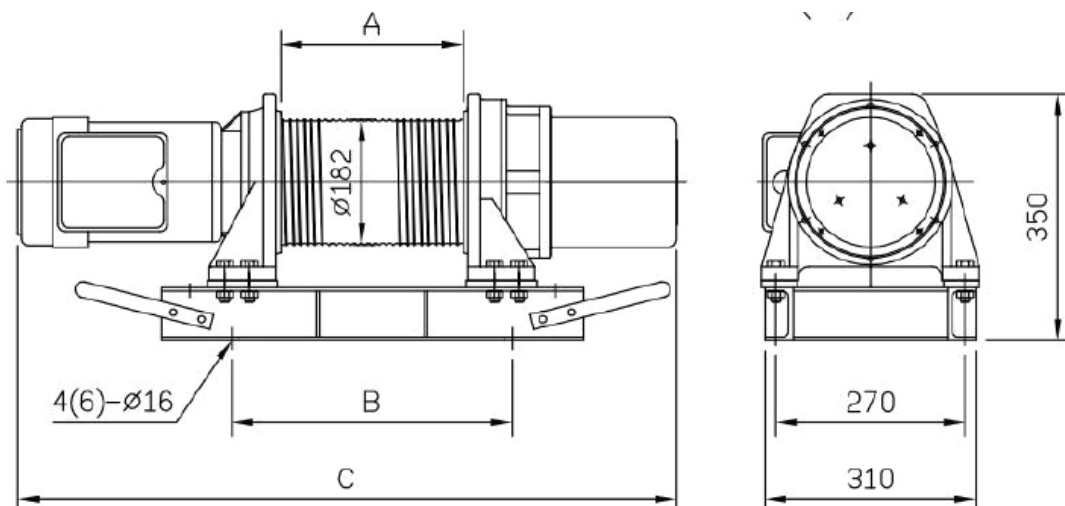
Specifications

CEP1000(S) RANGE

| Model | CEP1000-5M | CEP1000-8M | CEP1000-14M | CEP1000S-5M | CEP1000S-8M | CEP1000S-14M |
|---------------------------|--------------|------------|-------------|--------------|-------------|--------------|
| Rated Capacity (kg) | 1000 | | | | | |
| Phase (50Hz) | Three | | | Single | | |
| Double Fall Speed (m/min) | 7.5 | | | | | |
| Motor (kw x P) | 1.5 x 4 | | | | | |
| Power Source (50Hz) | 380/400/415V | | | 220/230/240V | | |
| Lifting Height (m) | 5 | 8 | 14 | 5 | 8 | 14 |
| Wire Rope (Ø mmxm) | 8 x 16 | 8 x 22 | 8 x 34 | 8 x 16 | 8 x 22 | 8 x 34 |
| Dimension | A (mm) | 470 | 670 | 1070 | 470 | 670 |
| | B (mm) | 600 | 800 | 1200 | 600 | 800 |
| | C (mm) | 1150 | 1350 | 1750 | 1150 | 1350 |
| Net Weight (kg) | 111 | 126 | 156 | 111 | 126 | 156 |
| Gross Weight (kg) | 151 | 166 | 196 | 151 | 166 | 196 |

Dimensions (in mm)

CEP1000(S) RANGE



The information shown is to be used as a guide only. Specifications are subject to change without notice. All materials handling or lifting jobs should be assessed individually. Pacific Hoists products are NOT to be used for lifting or lowering persons.

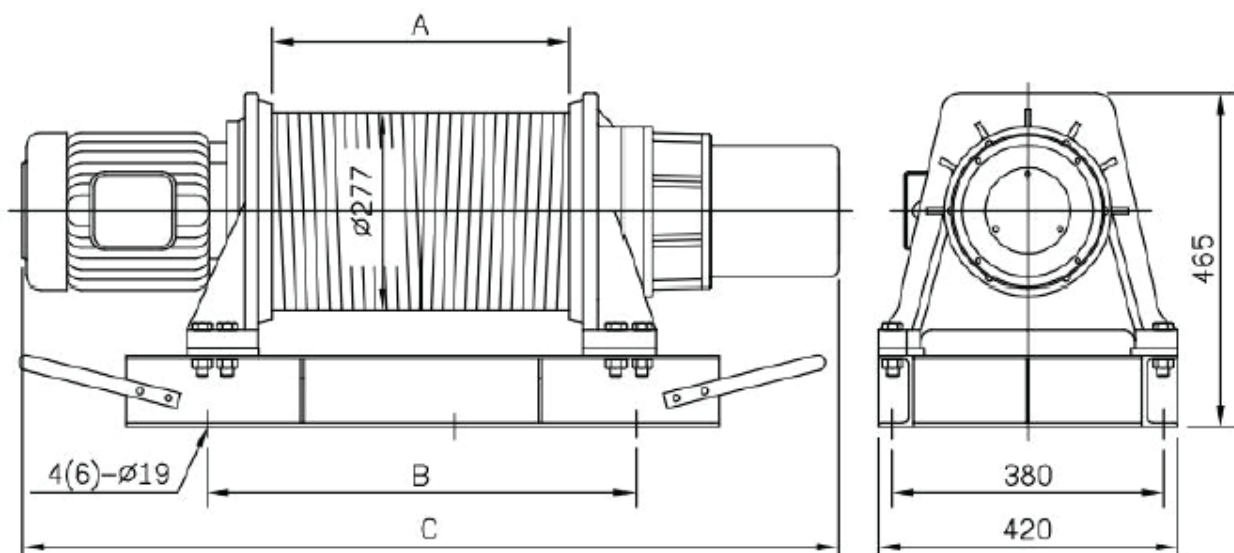
Specifications

CEP2000 RANGE

| Model | CEP2000-5M | CEP2000-8m | CEP2000-14M |
|---------------------------|--------------|------------|-------------|
| Rated Capacity (kg) | 2000 | | |
| Phase (50Hz) | Three | | |
| Double Fall Speed (m/min) | 5 | | |
| Motor (kw x P) | 2.3 x 4 | | |
| Power Source (50Hz) | 380/400/415V | | |
| Lifting Height (m) | 5 | 8 | 14 |
| Wire Rope (Ø mmxm) | 10 x 16 | 10 x 22 | 10 x 34 |
| Dimension | A (mm) | 427 | 522 |
| | B (mm) | 600 | 700 |
| | C (mm) | 1170 | 1265 |
| Net Weight (kg) | 190 | 215 | 265 |
| Gross Weight (kg) | 240 | 265 | 315 |

Dimensions

CEP2000 RANGE



The information shown is to be used as a guide only. Specifications are subject to change without notice. All materials handling or lifting jobs should be assessed individually. Pacific Hoists products are NOT to be used for lifting or lowering persons.

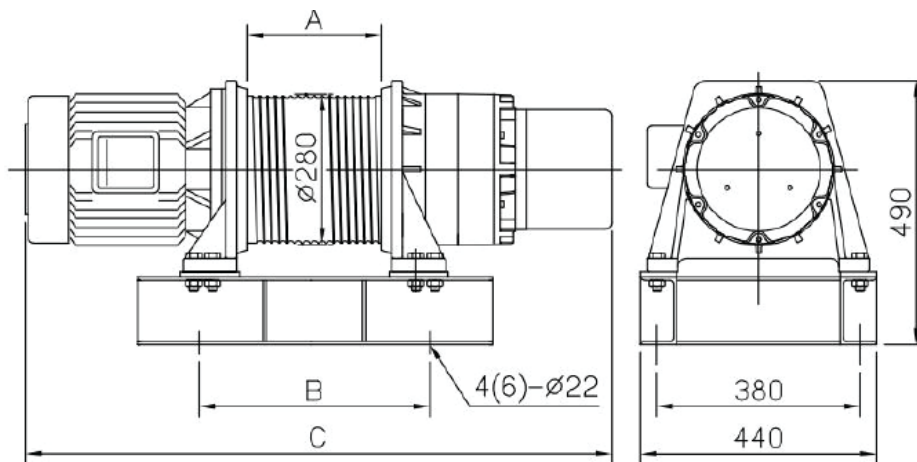
Specifications

CEP2000 RANGE

| Model | CEP3001-5M | CEP3001-8m | CEP3001-14M |
|---------------------------|--------------|------------|-------------|
| Rated Capacity (kg) | 3000 | | |
| Phase (50Hz) | Three | | |
| Double Fall Speed (m/min) | 5.8 | | |
| Motor (kw x P) | 5 x 4 | | |
| Power Source (50Hz) | 380/400/415V | | |
| Lifting Height (m) | 5 | 8 | 14 |
| Wire Rope (Ø mmxm) | 12 x 16 | 12 x 22 | 12 x 34 |
| Dimension | A (mm) | 460 | 970 |
| | B (mm) | 640 | 1150 |
| | C (mm) | 1300 | 1810 |
| Net Weight (kg) | 239 | 252 | 283 |
| Gross Weight (kg) | 289 | 307 | 348 |

Dimensions

CEP3001 RANGE



Sydney - Head Office

24 Foundry Road
Seven Hills, NSW 2147
Australia

+61 (0)2 8825 6900

+61 (0)2 8825 6999

Western Australia

8 Monash Gate
Jandakot, WA 6164
Australia

+61 (0)8 6253 1000

+61 (0)8 9458 9840

Auckland NZ

11 Druces Road
Wiri, Auckland 2104
New Zealand

+64 (0)9 263 5566

+64 (0)9 263 5567

